

# Invacare® A4™ Ultralightweight Active Performance Rigid

**Price List and Order Form** Effective July 1, 2003 Revised October 18, 2004



**Yes, you can.™**

For ease of ordering, contact Customer Service Toll Free at:  
 800-333-6900 Fax: 800-678-4682  
 To order Literature: 800-828-6282

www.invacare.com

Company Name \_\_\_\_\_ Account # \_\_\_\_\_

Phone # \_\_\_\_\_ P.O.# \_\_\_\_\_ Date \_\_\_\_\_

Ship To Name & Address \_\_\_\_\_

### Special Note

HCPCS codes are not intended to be, nor should be considered billing or legal advice. Providers are responsible for determining the appropriate billing codes when submitting claims to the Medicare Program and should consult an attorney or other advisor to discuss specific situations in further detail.

### FRAME TYPE

K0005 ■ TA4 Aluminum Adjustable Rigid Frame.....2,076.00

### FRAME MODIFICATIONS

- TFE Tapered Front End .....No Charge
- VFE "V" Front End .....No Charge

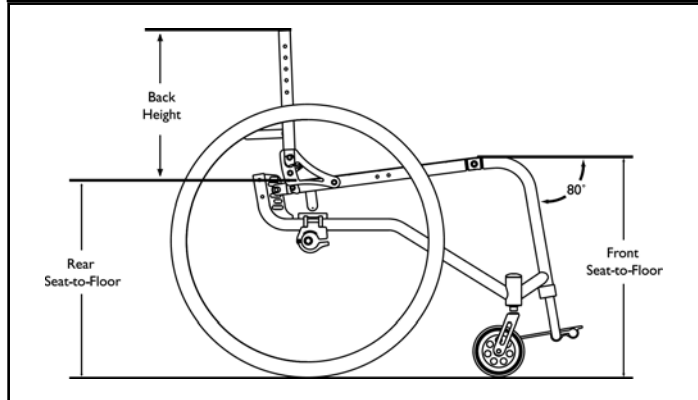
### SUSPENSION (SOFR ADD 1" TO SELECTED FSTF & RSTF)

E1015  SOFR LSS Front & Rear Suspension (4 each).....740.00

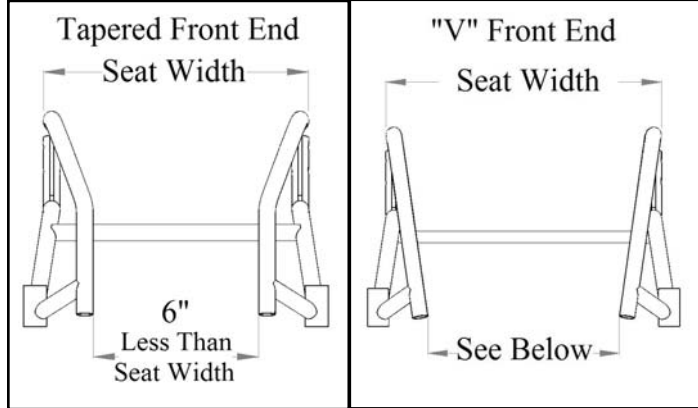
### SUSPENSION SETTING

- SET160 Soft Setting (Max. User Weight 160 lbs) .....No Charge
- SET300 Firm Setting (Max. User Weight 300 lbs) .....Standard

### Adjustable Rigid Frame



### Foot Space Width



FSTF17 - 5.0" less than seat width  
 FSTF18 - 5.25" less than seat width  
 FSTF19 - 5.5" less than seat width  
 FSTF20 - 5.75" less than seat width  
 FSTF21 - 6.0" less than seat width

### Seat Width & Depth Availability

Depth	14	15	16	17	18	19	20	22
Width								
12	X	S	S	S	S	S	S	S
13	X	S	S	S	S	S	S	S
14	X	X	X	X	X	S	S	S
15	X	X	X	X	X	S	S	S
16	X	X	X	X	X	X	S	S
17	X	X	X	X	X	X	S	S
18	X	X	X	X	X	X	S	S
19	S	S	X	X	X	X	S	S
20	S	S	X	X	X	X	X	X
21	S	S	S	S	X	X	X	X
22	S	S	S	S	X	X	X	X

### SEAT WIDTH

- W12 12" Wide.....No Charge
- W13 13" Wide.....No Charge
- W14 14" Wide.....No Charge
- W15 15" Wide.....No Charge
- W16 16" Wide.....No Charge
- W17 17" Wide.....No Charge
- W18 18" Wide.....No Charge
- W19 19" Wide.....No Charge
- E2201  W20 20" Wide .....300.00
- E2201  W21 21" Wide .....300.00
- E2201  W22 22" Wide .....300.00

### SEAT DEPTH

- D14 14" Deep .....No Charge
- D15 15" Deep .....No Charge
- D16 16" Deep .....No Charge
- D17 17" Deep .....No Charge
- D18 18" Deep .....No Charge
- D19 19" Deep .....No Charge
- E2203  D20 20" Deep .....300.00
- E2204  D22 22" Deep .....300.00

### FOOTNOTES

1. "V" front end provides 1" larger footplate than tapered front.
2. Firm setting recommended for active users 100 - 300 lbs.
3. X = Sizes available, S = Available through specials only.
4. Not available on tapered front end.

**NOTE: All specifications and dimensions are approximate.**

# Invacare® A4™ Ultralightweight Active Performance Rigid

## Accessories and Options

Arm Heights (Top of Seat Rail to Top of Armrest)		
<b>T-Arms</b>		
Low	6" - 10"	(Adjustable in 1/2" Increments)
High	8" - 14"	(Adjustable in 1" Increments)
<b>Swingaway</b>		
Standard	9" - 11"	(Adjustable in 1" Increments)

### ARM TYPE

- AT99 Swingaway Padded Arms (pair) .....141.00
- E0973  TAF T-Arms, Adjustable Height Full Length (pair) .....225.00
- E0973  TAD T-Arms, Adjustable Height Desk Length (pair) .....225.00

### T-ARM HEIGHT

- L6-10 Low Range 6" - 10" (T-Arm Height) .....No Charge
- H8-14 High Range 8" - 14" (T-Arm Height) .....No Charge

Knee-to-Heel Range			
<b>Front Seat-to-Floor</b>			
17"	11 1/4" - 16 1/4"	20"	14 1/4" - 19 1/4"
18"	12 1/4" - 17 1/4"	21"	15 1/4" - 20 1/4"
19"	13 1/4" - 18 1/4"		

### FRONT SEAT-TO-FLOOR

- FSTF17 Front STF Height 17" (18" with SOFR) .....No Charge
- FSTF18 Front STF Height 18" (19" with SOFR) .....No Charge
- FSTF19 Front STF Height 19" (20" with SOFR) .....No Charge
- FSTF20 Front STF Height 20" (21" with SOFR) .....No Charge
- FSTF21 Front STF Height 21" (22" with SOFR) .....No Charge

### FIXED/FOLD DOWN

- FLDWN Fold-Down Back .....No Charge

### BACK TYPE

- BACK811 Adj. Ht. Back w/o Push Handles (8"-11") .....No Charge
- BACK1014 Adj. Ht. Back w/o Push Handles (10"-14") .....No Charge
- BACK1216 Adj. Ht. Back w/o Push Handles (12"-16") .....No Charge
- BACK1418 Adj. Ht. Back w/o Push Handles (14"-18") .....No Charge
- BACK1620 Adj. Ht. Back w/o Push Handles (16"-20") .....No Charge
- PH1014 Adj. Ht. Back w/ Push Handles (10"-14") .....30.00
- PH1216 Adj. Ht. Back w/ Push Handles (12"-16") .....30.00
- PH1418 Adj. Ht. Back w/ Push Handles (14"-18") .....30.00
- PH1620 Adj. Ht. Back w/ Push Handles (16"-20") .....30.00

### BACK RIGIDIZER BAR

- WELD Welded .....**Standard**
- BLTON Bolt-On .....No Charge

### FOOTNOTES

- Rigid side guards included with the T-Arms.
- 17" FSTF not available with 6" casters.
- 3/4" tube telescoping in 1" tube.
- Not available with 22" wheels.
- Only available with "V" front end.
- Available with PNEU, PNEUFF and URETH tires.
- Available with PNEU, PNEUFF, URETH and KIKB tires.
- Available with PNEU or PNEUFF tires.
- Available with PNEU, PNEUFF, PRIMO, and KIKB tires.
- Available with PNEU or PRIMO tires.
- Available with PRIMO tires.
- Spoke wheels come standard with dome, quick-release button axle.
- Considered a 24" diameter wheel.
- Available with KNOBT tires.
- When choosing omit rear wheels the frame will be constructed for 24" wheels.

**NOTE: All specifications and dimensions are approximate.**

### FRAME FINISH

#### CONTEMPORARY COLORS

- 24P Wet Black .....No Charge
- 71P Silver Vein .....No Charge
- 60P Silver Metallic .....No Charge
- 115P Black Prism .....No Charge
- 105P Midnight Blue .....No Charge

#### TOO HOT COLORS

- 30P Sunny Yellow .....No Charge
- 116P Sunkissed Orange .....No Charge
- 117P Tangerine Red .....No Charge
- 61P Electric Red .....No Charge
- 118P Fruit Fusion .....No Charge
- 119P Bubblegum Pink .....No Charge
- 120P Grape Madness .....No Charge

#### WAY COOL COLORS

- 62P Electric Blue .....No Charge
- 121P Lolly Pop Blue .....No Charge
- 122P Cosmic Blue .....No Charge
- 123P Celestial Purple .....No Charge
- 124P Vivid Violet .....No Charge
- 125P Emerald Green .....No Charge
- 126P Shamrock Green .....No Charge
- 127P Grasshopper Green .....No Charge
- 104P Electric Teal .....No Charge

### CASTER OPTIONS

- AT900 3" Roller Blades (pair) .....No Charge
- 4SOFT 4" Semi-Pneumatic Casters (pair) .....60.00 K0075
- 5SOFT 5" Semi-Pneumatic Casters (pair) .....60.00 K0075
- AT901 5" Composite Urethane Casters (pair) .....No Charge
- 5ALUM 5" Aluminum Urethane Casters (pair) .....92.00
- 4.5  AT902 6" Composite Urethane 3 Spoke Casters (pair) .....No Charge
- 4.5  6PNEU 6" X 1 1/4" Composite Pneumatic Casters (pair) .....64.00 K0074

Front Seat-to-Floor Heights					
Caster Size					
3", 4", 5"	17"	18"	19"	20"	21"
6"		18"	19"	20"	21"

### WHEEL OPTIONS

- 4  22COM 22" Composite Wheels (pair) .....No Charge
- 7  24COM7 24" Composite - 7 Spoke Wheels (pair) .....No Charge
- 8,12  22SP 22" Spoke Wheels (pair) .....No Charge
- 9,12  24SP 24" Spoke Wheels (pair) .....No Charge
- 10,12  26SP 26" Spoke Wheels (pair) .....48.00
- 11  SPIN24 24" Spinergy® Spox Wheels (pair) .....695.00
- 11  SPIN25 25" Spinergy Spox Wheels (pair) .....695.00
- 11  SPIN26 26" Spinergy Spox Wheels (pair) .....695.00
- 9,12  24HPS 24" High Performance Spoke Wheels (pair) .....117.00
- 10,12  26HPS 26" High Performance Spoke Wheels (pair) .....137.00
- 11,13  3SCF 559 Three Spoke Composite Wheels (pair) .....695.00
- 14  24KNOB 24" Spoke Wheels for Knobby Tires (pair) ...No Charge
- 15  L8701 Omit Rear Wheels .....Less 50.00

### TIRE OPTIONS

- PNEU Pneumatic Tires (pair) .....60.00 K0067
- PNEUFF Flat Free Inserts (pair) .....65.00 K0064
- URETH Urethane (treaded) Tires (pair) .....No Charge
- PRIMO Primo Tires (pair) .....60.00 K0067
- KIKB KIK®-Black Tires (pair) .....60.00
- KNOBT 24" Knobby Tires (pair) .....75.00 K0067

# Invacare® A4™ Ultralightweight Active Performance Rigid

## Accessories and Options

### MOUNTING HANDRIMS

- IN Mount Inside Handrim.....No Charge
- OUT Mount Outside Handrim.....**Standard**

### HANDRIM OPTIONS

- ALUMPC Aluminum Anodized Handrims.....**Standard**
- K0059  A1512K Black Plastic Coated Handrims.....72.00
- E0967  AT1224-8 Plastic Coated w/8 Oblique Projections .....240.00
- E0967  AT1225-8 Plastic Coated w/8 Vertical Projections .....240.00
- E0967  AT1225-12 Plastic Coated w/12 Vertical Projections.....240.00

### REAR SEAT-TO-FLOOR SETTING

- R145 14 1/2" (15 1/2" with SOFR option).....No Charge
- R15 15" (16" with SOFR option).....No Charge
- R155 15 1/2" (16 1/2" with SOFR option).....No Charge
- R16 16" (17" with SOFR option).....No Charge
- R165 16 1/2" (17 1/2" with SOFR option).....No Charge
- R17 17" (18" with SOFR option).....No Charge
- R175 17 1/2" (18 1/2" with SOFR option).....No Charge
- RR18 18" (19" with SOFR option).....No Charge
- R185 18 1/2" (19 1/2" with SOFR option).....No Charge
- RR19 19" (20" with SOFR option).....No Charge
- R195 19 1/2" (20 1/2" with SOFR option).....No Charge
- R20 20" (21" with SOFR option).....No Charge

Rear Seat-to-Floor Range			
	Rear Wheels		
	22"	24"*	26"
17 FSTF	14 1/2" - 16"	15 1/2" - 17"	N/A
18 FSTF	14 1/2" - 17"	15 1/2" - 17"	16 1/2" - 18"
19 FSTF	14 1/2" - 18"	15 1/2" - 18"	16 1/2" - 18"
20 FSTF	14 1/2" - 19"	15 1/2" - 19"	16 1/2" - 19"
21 FSTF	N/A	15 1/2" - 20"	16 1/2" - 20"

\*For 25" Spingery Spox wheels, use 24" rear seat-to-floor.

Overall Width by Camber Angle					
Wheel Type	0°	3°	6°	9°	12°
Spoke	6 3/4"	8"	10"	12 1/4"	14 1/4"
Composite	7"	8 1/4"	10 1/4"	12 1/2"	14 1/2"

Add the amount above to the seat width to obtain the overall width at its widest point.

### CAMBER INSERTS

- SINGLE Single Camber.....**Standard**
- DUAL Dual Camber.....No Charge

### CAMBER INSERTS (MUST CHOOSE 2 W/ DUAL CAMBER)

- C00 0 Degree Camber Angle.....No Charge
- C03 3 Degree Camber Angle.....No Charge
- C06 6 Degree Camber Angle.....No Charge
- C09 9 Degree Camber Angle.....No Charge
- C12 12 Degree Camber Angle.....No Charge

### ADDITIONAL CAMBER INSERTS (MUST CHOOSE 2)

- AC00 0 Degree Camber Angle.....75.00
- AC03 3 Degree Camber Angle.....75.00
- AC06 6 Degree Camber Angle.....75.00
- AC09 9 Degree Camber Angle.....75.00
- AC12 12 Degree Camber Angle .....75.00

### CAMBER INSERT RELEASE TYPE

- NAB Nut & Bolt.....**Standard**
- QRL Quick Release Lever.....30.00

### FOOTPLATE OPTIONS

- AT5041 Adjustable Angle One Piece Footboard.....90.00 K0040
- 10  RGD TUB 1 Piece Tubular Footplate .....No Charge

### FOOTREST/LEGREST ACCESSORIES

- IMPACTG Impact Guards (pair) .....No Charge
- BASROLLER Basketball Roller .....39.00
- CALFSTRAP Calf Strap (each).....24.00 K0038

### POSITIONING STRAPS

- A1515 Push Button Seat Positioning Strap (each).....50.00 E0978
- A1321 Hook & Loop Seat Positioning Strap (each).....40.00 E0978

### BACK ACCESSORIES

- BACKPACK Back Pack .....50.00
- ADJTENS Adjustable Tension Back Upholstery .....125.00
- I490 Push Handles (Quick Release) (pair).....79.00
- PUSHHANDL Push Handles (Bolt On) (pair) .....64.00
- L8601 Omit Back Upholstery.....Less 10.00

### SEAT ACCESSORIES

- SP-01 Seat Pouch .....35.00
- L8651 Omit Seat Upholstery.....Less 10.00

### ARM ACCESSORIES

- A1571 Fabric Clothing Protectors (pair).....46.00
- I671-SM Rigid Side Guards, Small (pair).....122.00
- I671-LG Rigid Side Guards, Large (pair).....122.00
- I671-SMH Quad Rigid Side Guards, Small (pair).....122.00
- I671-LGH Quad Rigid Side Guards, Large (pair).....122.00
- I671NR Non-Removable Fold Down Side Guards (pair)....95.00

### WHEEL LOCKS

- 9691 Push To Lock Wheel Locks (pair).....No Charge
- A1598 Hill Holder - Clamp-On Wheel Locks (pair) .....77.00 E0974
- A1567 Pull To Lock Clamp-On Wheel Locks (pair).....No Charge
- HUMW Hideaway Undermount Wheel Locks (pair).....65.00
- L8704 Omit Wheel Locks.....Less 10.00

### MISCELLANEOUS ACCESSORIES

- A1576 Wheel Lock Extensions (6") (pair).....39.00 E0961
- A1573 Quad Release Axles (pair).....89.00
- A1307 Spoke Protectors (for 20", 22", 24", 26") (pair).....90.00 K0065
- I724 Rear Anti-Tippers (pair) .....60.00 E0971
- A1209 Tire Pump .....32.00
- 3421 3/4" To 1" Clamp Assembly .....21.00
- Touch-Up Paint .....20.00

### FOOTNOTES

1. Decreases overall width by 3/4".
2. Not available with 3SCF wheels.
3. Not available with 3SCF, SPIN24, SPIN25, SPIN26 wheels.
4. Available with 24COM7, 24SP, 24HPS wheels.
5. Not available with 22SP, 3SCF, SPIN24, SPIN25, SPIN26, and KNOBT tires.
6. Available with 24COM7 wheels.
7. Not available with 24KNOB wheels.
8. SOFR selection raises RSTF range by 1".
9. Factory set to lower camber angle.
10. Only available with tapered front end.

**NOTE: All specifications and dimensions are approximate.**

# Invacare® A4™ Ultralightweight Active Performance Rigid

## Accessories and Options

**FOR YOUR SEATING NEEDS  
PLEASE REFER TO THE FOLLOWING**

**INFINITY® SEAT AND BACK CUSHIONS  
SEE PRICE LIST FORM # 01-351.**

**CONVENTIONAL PRODUCTS  
SEE PRICE LIST FORM # 95-82.**

**ESSENTIAL®, LAP TRAYS, AND  
PERSONAL BACK™ PRODUCTS  
SEE PRICE LIST FORM # 01-207.**

### Specifications

♦ Frame Style	Rigid
♦ Seat Widths	12" - 22"
♦ Seat Depths	14" - 22"
♦ Overall Width	18 3/4" - 36 1/2"
♦ Adjustable Height Back	8" - 20" (See Back Adjustment Category)
♦ Adjustable Angle Back	-15°, -10°, -5°, 0°, 5°
♦ Camber Angles	0°, 3°, 6°, 9°, 12°
♦ Tubing sizes:	1" Aluminum
♦ Weight Limit	300 lbs.
♦ Weight of Chair	14.5lbs. (15 x 16 without rear wheels and accessories)
♦ Warranty	Lifetime on frame

### Basic Chair Includes:

- ♦ Aluminum Adjustable Rigid Frame
- ♦ Tapered or "V" Front End
- ♦ Seat Widths (W12-W19)
- ♦ Seat Depth (D14-D19)
- ♦ Front Seat-To-Floor Height Selection
- ♦ Fold Down Back
- ♦ Adjustable Height Back w/o Push Handles
- ♦ Back Rigidizer Bar (WELD or BLTON)
- ♦ Frame Finish
- ♦ Caster Options (AT900, AT901 or AT902)
- ♦ Wheel Options (22COM, 24COM7, 22SP, or 24SP)
- ♦ URETH Urethane (treaded) Tires
- ♦ ALUMPC Aluminum Anodized Handrims
- ♦ Rear Seat-To-Floor Height Setting
- ♦ Camber Inserts (SINGLE or DUAL)
- ♦ Camber Angle (C00, C03, C06, or C12)
- ♦ NAB Nut and Bolt Camber Insert Release
- ♦ RGDTUB 1 Piece Tubular Footplate
- ♦ IMPACTG Impact Guards
- ♦ Slip On Back Upholstery
- ♦ Quick Release Axles
- ♦ Wheel Locks (9691 or A1567)

### Weight Limitation 300 Pounds

Invacare recommends all wheelchairs be fitted to the consumer under the guidance of a healthcare professional, knowledgeable of the particular limitations of the product.

### Available Through Our Specials Department

3" Depth Adjustable Frame (Longer Frame w/Back Canes Set Forward)	SM-030402084259
Caster Swivel Locks	SM-020924112851
Flip Up Footplates	SM-030304080224
One Arm Drive - 0 deg Camber	SM-010912031703
Swingaway Front End	SM-011204121038
Amputee Attachment (Longer Frame w/Back Canes Set Forward)	SM-020924110810
Frog Legs® Front Suspension Forks Only	SM-030728042707

Invacare Corporation [www.invacare.com](http://www.invacare.com)



Yes, you can.™

**USA**  
One Invacare Way  
Elyria, OH USA  
44035-4190  
800-333-6900

Invacare, Infinity, Essential are registered trademarks and A4, Personal Back and Yes, you can. are trademarks of Invacare Corporation. KIK is a registered trademark of KIK Technology, Inc. Spinergy is a registered trademark of Spinergy, Inc. Frog Legs is a registered trademark of Frog Legs, Inc. Specifications and prices are subject to change without notification.  
©2004 Invacare Corporation

Form No. 94-30 Rev 10/04  
P1994\_030H\_TA2