



For ease of ordering, contact Customer Service Toll Free at:  
 800-333-6900 Fax: 800-678-4682  
 To order Literature: 800-828-6282

www.invacare.com

**Yes, you can.™**

Company Name \_\_\_\_\_ Account # \_\_\_\_\_

Phone # \_\_\_\_\_ P.O.# \_\_\_\_\_ Date \_\_\_\_\_

Ship To Name & Address \_\_\_\_\_

**FRAME TYPE**

- TA4T Titanium Adjustable Rigid Frame .....2,765.00

**FRAME MODIFICATIONS**

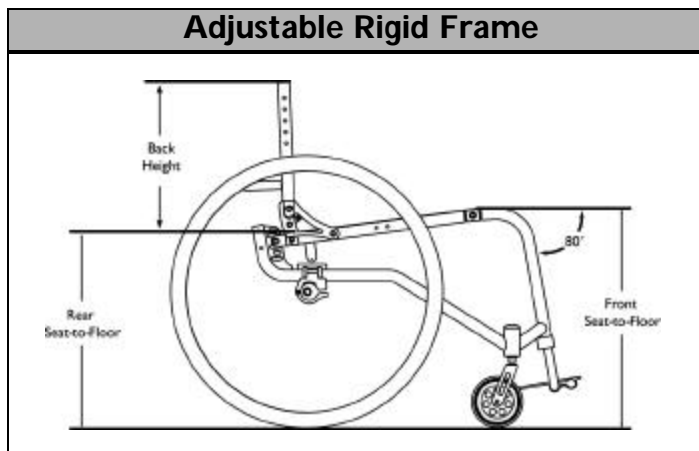
- TFE Tapered Front End ..... No Charge
- VFE "V" Front End..... No Charge

**SUSPENSION (SOFR ADD 1" TO SELECTED FSTF & RSTF)**

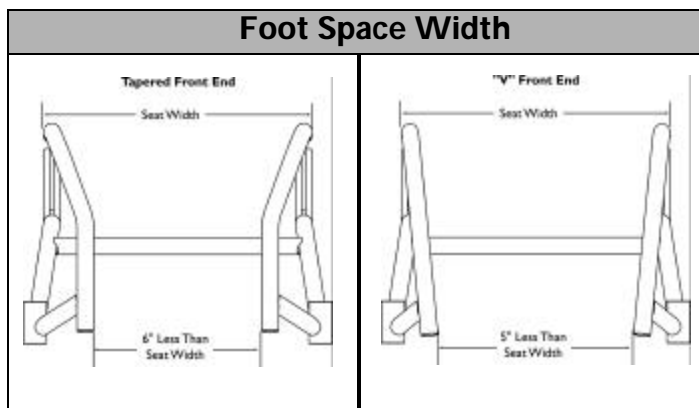
- SOFR Suspension Option Front & Rear .....740.00

**SUSPENSION SETTING**

- SET160 Soft Setting (Max. User Weight 160 lbs) ..... No Charge
- SET300 Firm Setting (Max. User Weight 300 lbs) ..... **Standard**



Seat Width & Depth Availability								
Depth	14	15	16	17	18	19	20	22
<b>Width</b>								
12	X							
13	X							
14	X	X	X	X	X			
15	X	X	X	X	X			
16	X	X	X	X	X	X		
17	X	X	X	X	X	X		
18	X	X	X	X	X	X		
19			X	X	X	X		
20			X	X	X	X	X	X
21					X	X	X	X
22					X	X	X	X



**SEAT WIDTH**

- W12 12" Wide..... No Charge
- W13 13" Wide..... No Charge
- W14 14" Wide..... No Charge
- W15 15" Wide..... No Charge
- W16 16" Wide..... No Charge
- W17 17" Wide..... No Charge
- W18 18" Wide..... No Charge
- W19 19" Wide..... No Charge
- W20 20" Wide..... 150.00
- W22 22" Wide..... 150.00

**SEAT DEPTH**

- D14 14" Deep..... No Charge
- D15 15" Deep..... No Charge
- D16 16" Deep..... No Charge
- D17 17" Deep..... No Charge
- D18 18" Deep..... No Charge
- D19 19" Deep..... 150.00
- D20 20" Deep..... 150.00
- D22 22" Deep..... 150.00

**FOOTNOTES**

1. "V" Front End provides 1" larger footplate than Tapered Front End.
2. Firm setting recommended for active users 100 - 300 lbs.
3. Not available on Tapered Front End.

**NOTE: All specifications and dimensions are approximate.**

# Invacare® A4™ Titanium Accessories and Options

Arm Heights (Top of Seat Rail to Top of Armrest)		
<b>T-Arms</b>		
Low	6" - 10"	(Adjustable in 1/2" Increments)
High	8" - 14"	(Adjustable in 1" Increments)
<b>Swingaway</b>		
Standard	9" - 11"	(Adjustable in 1" Increments)

### ARM TYPE

- AT99 Swingaway Padded Arm ..... 141.00
- TAF T-Arms, Full, Adjustable Height ..... 225.00
- TAD T-Arms, Desk, Adjustable Height ..... 225.00

### T-ARM HEIGHT

- L6-10 Low Range 6" - 10" ..... No Charge
- H8-14 High Range 8" - 14" ..... No Charge

Knee-to-Heel Range			
<b>Front Seat-to-Floor</b>			
17"	11 1/4" - 16 1/4"	20"	14 1/4" - 19 1/4"
18"	12 1/4" - 17 1/4"	21"	15 1/4" - 20 1/4"
19"	13 1/4" - 18 1/4"		

### FRONT SEAT-TO-FLOOR

- FSTF17 Front STF Height 17" (18" with SOFR) ..... No Charge
- FSTF18 Front STF Height 18" (19" with SOFR) ..... No Charge
- FSTF19 Front STF Height 19" (20" with SOFR) ..... No Charge
- FSTF20 Front STF Height 20" (21" with SOFR) ..... No Charge
- FSTF21 Front STF Height 21" (22" with SOFR) ..... No Charge

### FOLDDOWN

- FLDWN Fold-Down Back ..... No Charge

### BACK ADJUSTMENTS

- BACK811 Adj. Ht. Back w/o Push Handles (08" - 11") .No Charge
- BACK1014 Adj. Ht. Back w/o Push Handles (10" - 14") .No Charge
- BACK1216 Adj. Ht. Back w/o Push Handles (12" - 16") .No Charge
- BACK1418 Adj. Ht. Back w/o Push Handles (14" - 18") .No Charge
- BACK1620 Adj. Ht. Back w/o Push Handles (16" - 20") .No Charge
- PH1014 Adj. Ht. Back w/ Push Handles (10" - 14") ..... 30.00
- PH1216 Adj. Ht. Back w/ Push Handles (12" - 16") ..... 30.00
- PH1418 Adj. Ht. Back w/ Push Handles (14" - 18") ..... 30.00
- PH1620 Adj. Ht. Back w/ Push Handles (16" - 20") ..... 30.00

### BACK RIGIDIZER BAR

- WELD Welded ..... **Standard**
- BLTON Bolt-On ..... No Charge

### FOOTNOTES

1. Swingaway padded arms with a fixed rear seat-to-floor limits you to a 17" rear seat-to-floor height with 24" rear wheels.
2. Rigid side guards included with the T-Arms.
3. 17" FSTF not available with 6" casters.
4. Standard on adjustable rear seat-to-floor. Fold-down back does not require back angle pick.
5. 3/4" tube telescoping in 1" tube.
6. Not available with 22" wheels.
7. Only available with "V" Front End.
8. Available with pneu., pneu. FF and urethane tires.
9. Available with pneu., pneu. FF, urethane and KIK Black tires.

### FRAME FINISH

- 113P Bead Blast ..... No Charge

### BASIC COLORS

- 22P Anthracite ..... No Charge
- 24P Wet Black ..... No Charge
- 33P Red ..... No Charge
- 88P Wet Black w/Twilight Sparkle ..... No Charge
- 101P Jeweled Green ..... No Charge
- 105P Midnight Blue ..... No Charge

### CANDY COLORS

- 61P Electric Red ..... No Charge
- 62P Electric Blue ..... No Charge
- 66P Electric Purple ..... No Charge
- 104P Electric Teal ..... No Charge

### CHAMELEON COLORS

- 80P Evergreen w/Navy ..... No Charge
- 83P Royal Blue w/Grape ..... No Charge

Front Seat-to-Floor Heights					
<b>Caster Size</b>					
3", 4", 5"	17",	18",	19",	20",	21"
6"		18",	19",	20",	21"

### CASTER OPTIONS

- AT900 3" Roller Blades ..... No Charge
- 4SOFT 4" Semi-Pneumatic ..... 25.00
- 5SOFT 5" Semi-Pneumatic ..... 25.00
- AT901 5" Composite Urethane Casters ..... No Charge
- 5ALUM 5" Aluminum Urethane Casters ..... 92.00
- AT902 6" Composite Urethane 3 Spoke ..... No Charge
- 6PNEU 6" X 1 1/4" Composite Pneumatic ..... 64.00

### WHEEL OPTIONS

- 22COM 22" Composite ..... No Charge
- 24COM7 24" Composite - 7 Spoke ..... No Charge
- 22SP 22" Spoke ..... No Charge
- 24SP 24" Spoke ..... No Charge
- 26SP 26" Spoke ..... 48.00
- 559TS 559 Turbo Spoke ..... 117.00
- 700SP 700C Spoke ..... 58.00
- SPIN24 24" Spinerge® Spox Wheels ..... 695.00
- SPIN25 25" Spinerge Spox Wheels ..... 695.00
- SPIN26 26" Spinerge Spox Wheels ..... 695.00
- 24HPS 24" High Performance Spoke ..... 117.00
- 26HPS 26" High Performance Spoke ..... 137.00
- 3SCF 559 Three Spoke Composite ..... 695.00
- 24KNOB 24" Spoke w/Knobby Tires ..... 75.00
- L8701 Omit Rear Wheels ..... Less 50.00

### FOOTNOTES CONTINUED

10. Available with pneu., or pneu. FF tires.
11. Available with pneu., pneu. FF, primo and KIK Black tires.
12. Available with pneu. or primo tires.
13. Available with primo tires.
14. Available with Umma Gumma tires.
15. Spoke wheels come standard with dome, quick-release button axle.
16. Considered a 24" diameter wheel.
17. 24KNOB includes Knobby tires and aluminum handrim.
18. When choosing omit rear wheels the frame will be constructed for 24" wheels.

**NOTE: All specifications and dimensions are approximate.**

# Invacare® A4™ Titanium Accessories and Options

## TIRE OPTIONS

- PNEU Pneumatic ..... No Charge
- PNEUFF Pneumatic - Flat Free ..... 125.00
- URETH Urethane (Treaded) ..... 51.00
- PRIMO Primo ..... 59.00
- UMMA 700C Umma Gumma ..... 75.00
- KIKB KIK®-Black ..... 60.00

## MOUNTING HANDRIMS

- IN Mount Inside Handrim ..... No Charge
- OUT Mount Outside Handrim ..... **Standard**

## HANDRIM OPTIONS

- ALUMPC Aluminum Anodized Handrims ..... **Standard**
- A1512K Black Plastic Coated Handrims ..... 72.00
- AT1224-8 Plastic Coated w/8 Oblique Projections ..... 240.00
- AT1225-8 Plastic Coated w/8 Vertical Projections ..... 240.00
- AT1225-12 Plastic Coated w/12 Vertical Projections ..... 240.00

## ADDITIONAL CAMBER INSERTS (MUST CHOOSE 2)

- AC00 0° Camber Angle ..... 75.00
- AC03 3° Camber Angle ..... 75.00
- AC06 6° Camber Angle ..... 75.00
- AC09 9° Camber Angle ..... 75.00
- AC12 12° Camber Angle ..... 75.00

## CAMBER INSERT RELEASE TYPE

- NAB Nut & Bolt ..... **Standard**
- QRL Quick Release Lever ..... 30.00

## FOOTPLATE OPTIONS

- AT5041 Adjustable Angle One Piece Footboard ..... **Standard**
- RGDTUB Adjustable 1 Piece Tubular Footrest ..... No Charge
- RGDTUBTI Titanium 1 Piece Tubular Footrest ..... 170.00

## FOOTREST/LEGREST ACCESSORIES

- IMPACTG Impact Guards ..... 20.00
- BASROLLER Basketball Roller ..... 39.00
- CALFSTRAP Calf Strap ..... No Charge

## SEAT POSITIONING STRAPS

- A1515 Auto Style Seat Positioning Strap ..... 50.00
- A1321 Hook & Loop Seat Positioning Strap ..... 40.00

## BACK ACCESSORIES

- BACKPACK Back Pack ..... 50.00
- ADJTENS Adjustable Tension Back Upholstery ..... 87.00
- 1490 Push Handles (Quick Release) ..... 79.00
- PUSHHANDL Push Handles (Bolt On) ..... 64.00
- L8601 Omit Back Upholstery ..... Less 10.00

Rear Seat-to-Floor Range			
	Rear Wheels		
	22"	24"*	26"
17 FSTF	14 1/2" - 16"	15 1/2" - 17"	N/A
18 FSTF	14 1/2" - 17"	15 1/2" - 17"	16 1/2" - 18"
19 FSTF	14 1/2" - 18"	15 1/2" - 18"	16 1/2" - 18"
20 FSTF	14 1/2" - 19"	15 1/2" - 19"	16 1/2" - 19"
21 FSTF	N/A	15 1/2" - 20"	16 1/2" - 20"

\*For 25" Spingery Spox wheels, use 24" rear seat-to-floor.

## REAR SEAT-TO-FLOOR SETTING

- R145 14 1/2" (15 1/2" with SOFR option) ..... No Charge
- R15 15" (16" with SOFR option) ..... No Charge
- R155 15 1/2" (16 1/2" with SOFR option) ..... No Charge
- R16 16" (17" with SOFR option) ..... No Charge
- R165 16 1/2" (17 1/2" with SOFR option) ..... No Charge
- R17 17" (18" with SOFR option) ..... No Charge
- R175 17 1/2" (18 1/2" with SOFR option) ..... No Charge
- RR18 18" (19" with SOFR option) ..... No Charge
- R185 18 1/2" (19 1/2" with SOFR option) ..... No Charge
- RR19 19" (20" with SOFR option) ..... No Charge
- R195 19 1/2" (20 1/2" with SOFR option) ..... No Charge
- R20 20" (21" with SOFR option) ..... No Charge

Overall Width by Camber Angle					
Wheel Type	0°	3°	6°	9°	12°
<b>Spoke</b>	6 3/4"	8"	10"	12 1/4"	14 1/4"
<b>Composite</b>	7"	8 1/4"	10 1/4"	12 1/2"	14 1/2"

Add the amount above to the seat width to obtain the overall width at its widest point.

## CAMBER INSERTS

- SINGLE Single Camber ..... **Standard**
- DUAL Dual Camber ..... No Charge

## CAMBER INSERT (MUST CHOOSE 2 W/ DUAL CAMBER)

- C00 0° Camber ..... No Charge
- C03 3° Camber ..... No Charge
- C06 6° Camber ..... No Charge
- C09 9° Camber ..... No Charge
- C12 12° Camber ..... No Charge

## FOOTNOTES

1. Decreases overall width by 3/4".
2. Not available with 3SCF wheels
3. Not available with 3SCF, SPIN24, SPIN25, SPIN26 wheels.
4. Available with 24COM7, 24SP, 24HPS wheels.
5. Not available with 22SP, 700SP, 3SCF, SPIN24, SPIN25, SPIN26, and 24KNOB wheels.
6. Available with 24COM7 wheels.
7. SOFR selection raises RSTF range by 1".
8. Typical dump is 1". Check Rear Seat-to-Floor Range chart for restrictions.
9. Factory set to lower camber angle.
10. Only available with Tapered Front End.
11. Not available with fixed rear seat-to-floor.

**NOTE: All specifications and dimensions are approximate.**

# Invacare® A4™ Titanium Accessories and Options

## <sup>1</sup> INFINITY™ BACKS

- ILB LoBack .....434.00

## SEAT ACCESSORIES

- SP-01 Seat Pouch .....35.00  
 L8651 Omit Seat Upholstery.....Less 10.00

## <sup>1</sup> SEAT CUSHIONS

- SD Single Density Cushion.....101.00  
 PSVF Personal Seat VF™ Cushion .....350.00  
 UMJ Ulti-Mate® Junior Cushion .....546.00  
 UM Ulti-Mate Cushion .....546.00

## <sup>1</sup> INFINITY™ SERIES SEAT CUSHIONS

- ILCVF Lo Contour Visco Foam.....469.00  
 ILCFG Lo Contour FloGel Insert.....469.00  
 ILCAIR Lo Contour AirFlo™ Insert .....485.00  
 IGCVF Gentle Contour Visco Foam.....469.00  
 IGCFG Gentle Contour FloGel Insert .....469.00  
 IGCAIR Gentle Contour AirFlo Insert .....485.00  
 IMCVF Max Contour Visco Foam.....469.00  
 IMCFG Max Contour FloGel Insert.....469.00  
 IMCAIR Max Contour AirFlo Insert .....485.00

## <sup>1,2</sup> RIGIDIZER

- CR Cushion Rigidizer .....37.00

## ARM ACCESSORIES

- A1571 Fabric Clothing Protectors.....46.00  
 1671-SM Rigid Side Guards, Small .....122.00  
 1671-LG Rigid Side Guards, Large.....122.00  
 1671-SMH Quad Rigid Side Guards, Small.....122.00  
 1671-LGH Quad Rigid Side Guards, Large .....122.00  
 1671NR Non-Removable Fold Down Side Guards.....95.00

## WHEEL LOCKS

- <sup>3</sup>  9691 Push To Lock Wheel Locks .....No Charge  
<sup>3,4</sup>  A1598 Hill Holder - Clamp-On Wheel Locks.....77.00  
<sup>3</sup>  A1567 Pull To Lock Clamp-On Wheel Locks.....No Charge  
 HUMW Hideaway Undermount Wheel Locks.....65.00  
 L8704 Omit Wheel Locks.....Less 10.00

## MISCELLANEOUS ACCESSORIES

- <sup>5</sup>  A1576 Wheel Lock Extensions (8").....32.00  
 A1573 Quad Release Axles.....89.00  
 A1307 Spoke Protectors .....90.00  
 1724 Rear Anti-Tippers.....51.00  
 A1209 Tire Pump .....32.00  
<sup>6</sup>  3421 ¾" To 1" Clamp Assembly .....21.00  
 Touch-Up Paint .....20.00

## FOOTNOTES

1. Pricing reflects builder sizes. For standard pricing call Customer Service.
2. Not available with T-Arms.
3. Not available with Non-Removable Fold Down Side Guards.
4. Not available with urethane tires.
5. Not available with Undermount Wheel Locks.
6. Used for attaching accessories to wheelchair. Attaches ¾" tube to 1" tube.

**NOTE: All specifications and dimensions are approximate.**

Specifications	
• Frame Style	Rigid
• Seat Widths	12" - 22"
• Seat Depths	14" - 22"
• Overall Width	18 ¾" - 36 1/2"
• Adjustable Height Back	8" - 20" (See Back Adjustment Category)
• Adjustable Angle Back	-15°, -10°, -5°, 0°, 5°
• Camber Angles	0°, 3°, 6°, 9°, 12°
• Tubing sizes:	1" Titanium
• Weight Limit	300 lbs.
• Weight of Chair	13 lbs. (15 x 16 without rear wheels and accessories)
• Warranty	Lifetime on frame

Weight Limitation 300 Pounds
Invacare recommends all wheelchairs be fitted to the consumer under the guidance of a healthcare professional, knowledgeable of the particular limitations of the product.

Available Through Our Specials Department
<ul style="list-style-type: none"> <li>• 3" Depth Adjustable Frame</li> <li>• Caster Swivel Locks</li> <li>• Flip Up Footplates</li> <li>• One Arm Drive</li> </ul>
<b>All specials are subject to final approval. Some special quotes are not compatible for all frame configurations. Please contact Customer Service for details and prices.</b>

Invacare Corporation [www.invacare.com](http://www.invacare.com)



**Yes, you can.™**

**USA**  
 One Invacare Way  
 Elyria, OH USA  
 44035-4190  
 800-333-6900

Invacare and Ulti-Mate are registered trademarks and A4, Infinity, AirFlo, Personal VF and Yes, you can. are trademarks of Invacare Corporation. KIK is a registered trademark of KIK Technology, Inc. Spinergy is a registered trademark of Spinergy, Inc. Specifications and prices are subject to change without notification.  
 ©2003 Invacare Corporation

Form No. 02-104 Rev 07/03  
 P2002\_104D